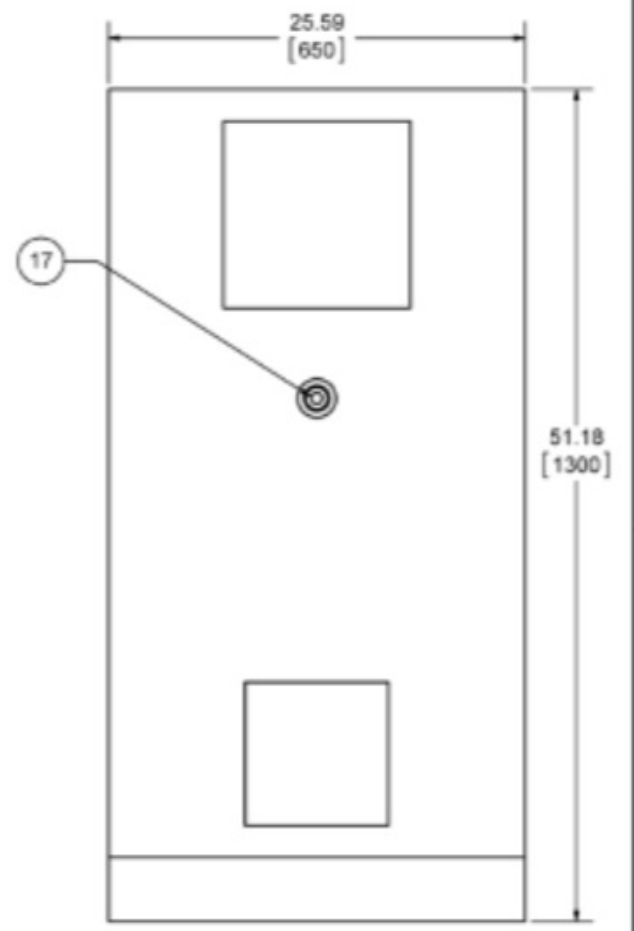
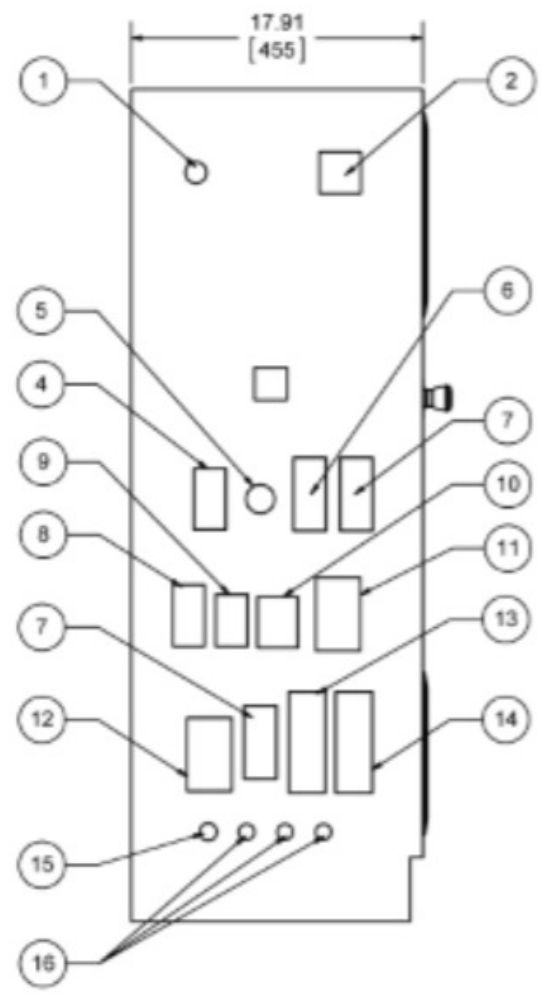
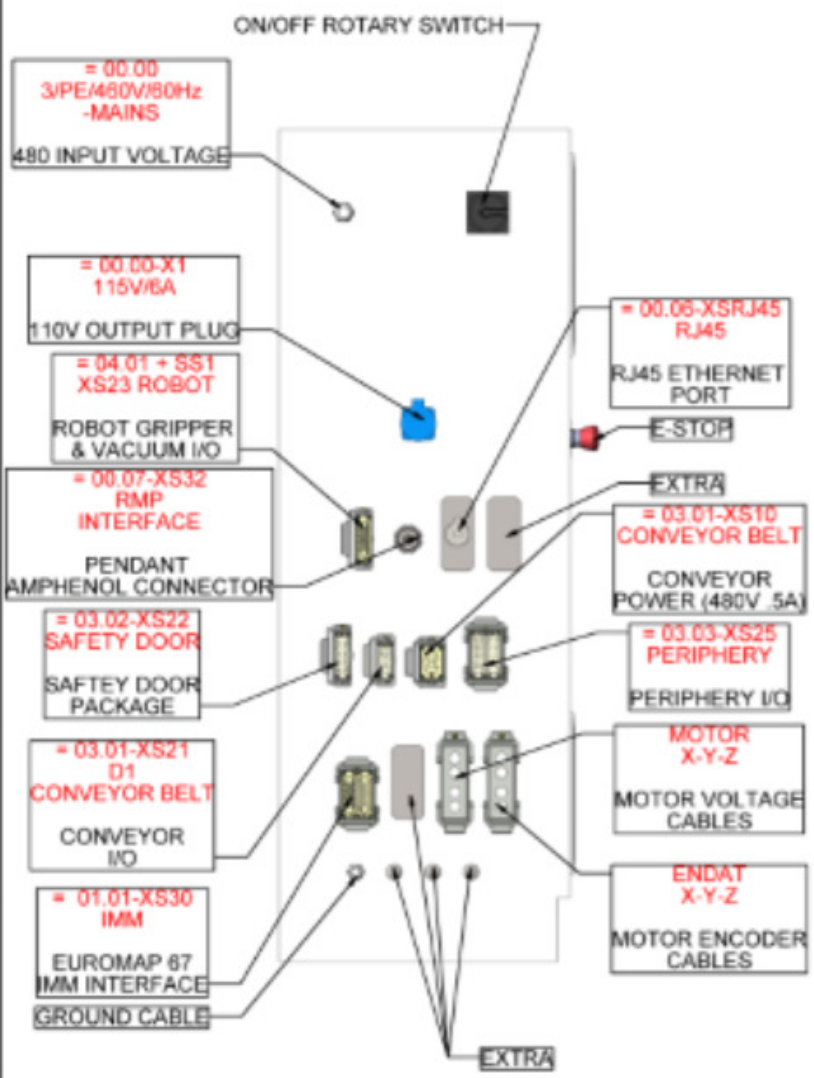


NO INFORMATION CONTAINED HEREIN IS TO BE RELEASED TO THE PUBLIC OR ANY OTHER PERSON OR ENTITY WITHOUT THE WRITTEN PERMISSION OF THE UNITED STATES GOVERNMENT



THE INFORMATION CONTAINED HEREIN IS UNCLASSIFIED DATE 03/27/2013 BY 60322 (EXCEPT AS NOTED) UNCLASSIFIED DATE 03/27/2013 BY 60322	DRAWING NO. MIKE M DATE AS NOTED UNIT NUMBER INCHES	DRAWING TITLE ROBOT CABINET, HARM PL SERIES PART NUMBER N/A	DRAWING SCALE 1:1 SHEET NO. 1 OF 1
--------------------------------------------------------------------------------------------------------------------------------------------------	-----------------------------------------------------------------------------------------	------------------------------------------------------------------------------------	------------------------------------------------------------------